

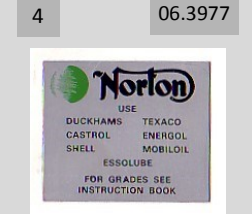
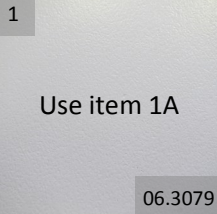


We are the only supplier of Commando & Dominator parts using the original factory drawings. Our products are mostly made in England and to original specification. We also offer Norton Rotary spares, factory service manuals and literature for **NORTON** and **TRIUMPH** motorcycles.

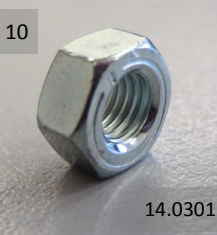
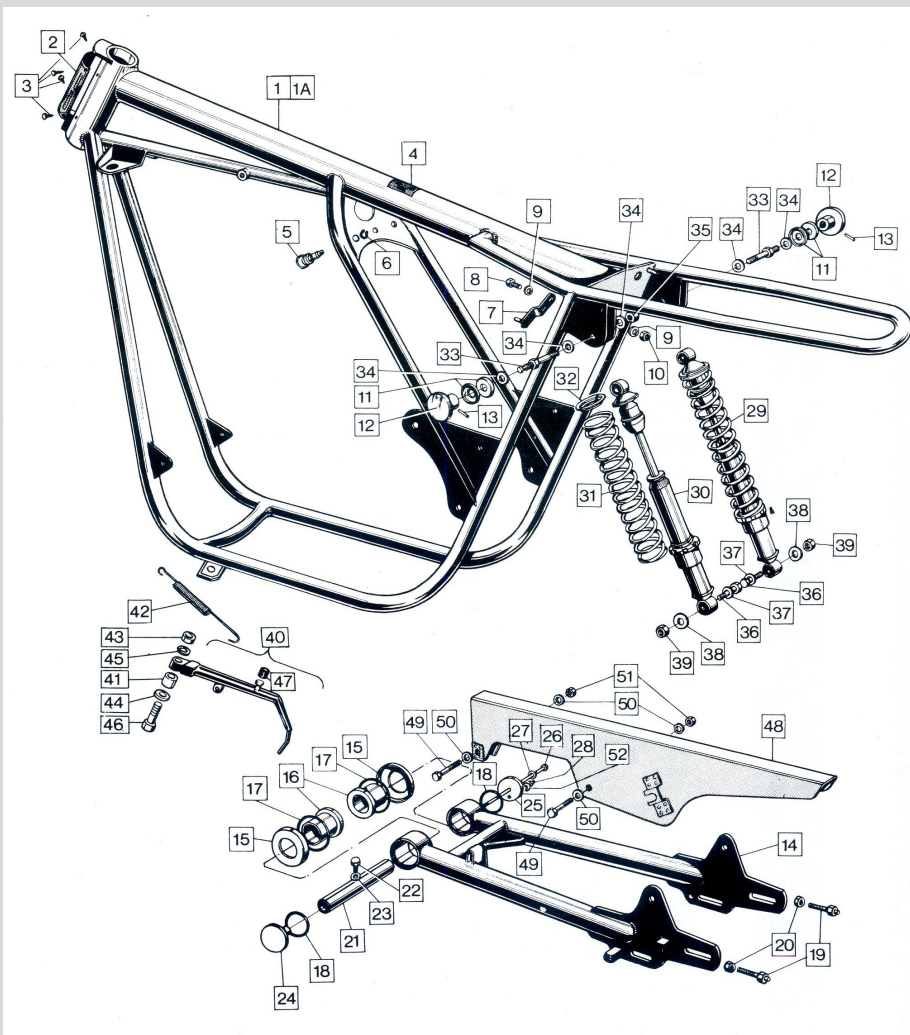
INSIST ON GENUINE FACTORY PARTS PACKAGED WITH THIS LOGO



NORTON COMMANDO FRAME, SWINGING ARM & REAR SUSPENSION (1971 to 1974)



For year specific parts see page 6



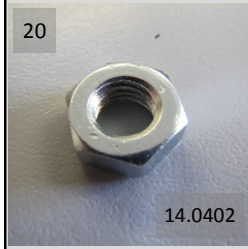


We are the only supplier of Commando & Dominator parts using the original factory drawings. Our products are mostly made in England and to original specification. We also offer Norton Rotary spares, factory service manuals and literature for **NORTON** and **TRIUMPH** motorcycles.

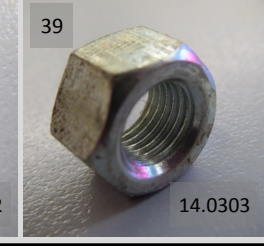
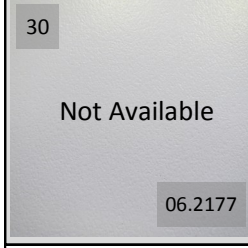
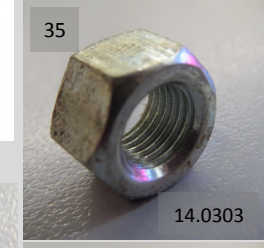
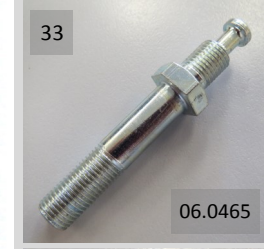
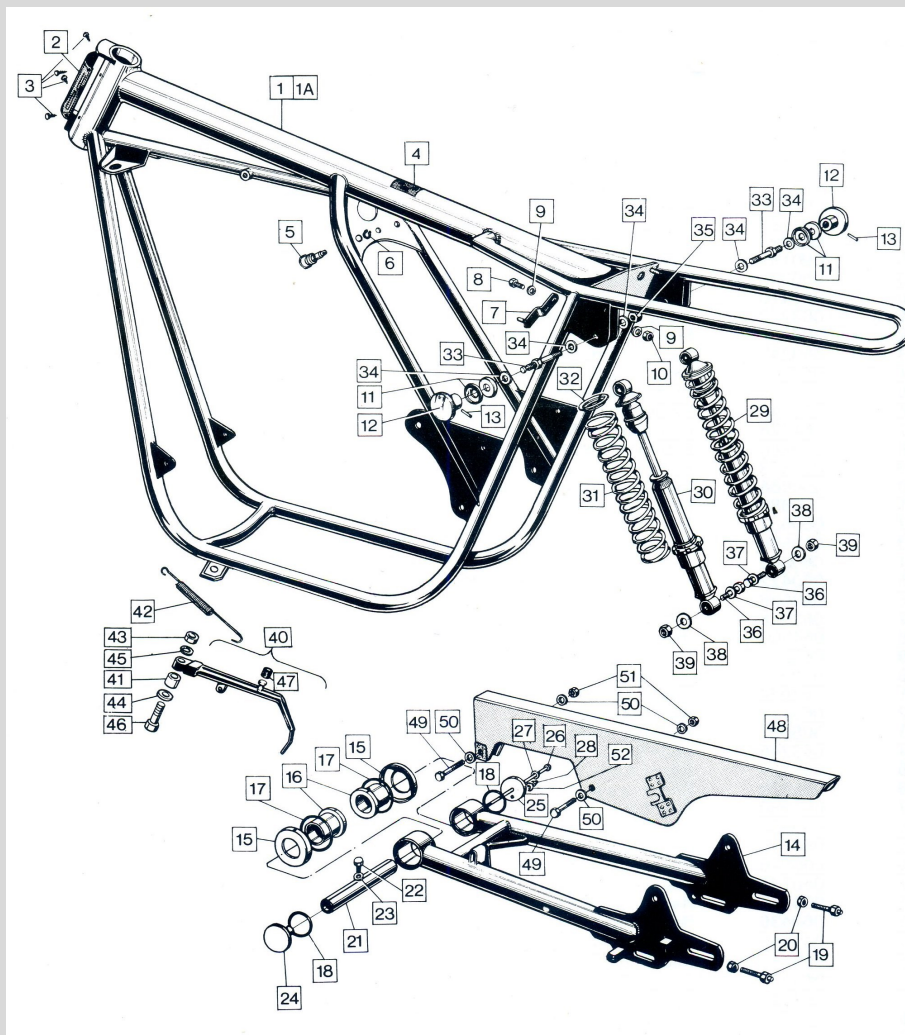
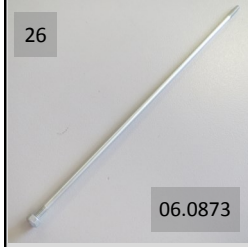
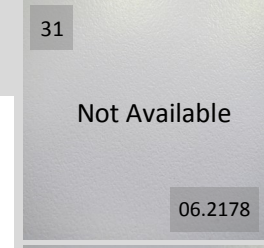
INSIST ON GENUINE FACTORY PARTS PACKAGED WITH THIS LOGO



NORTON COMMANDO FRAME, SWINGING ARM & REAR SUSPENSION (1971 to 1974)



For year specific parts see page 6



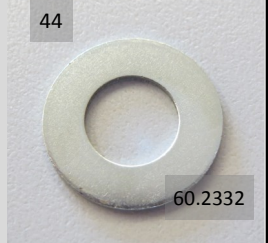


We are the only supplier of Commando & Dominator parts using the original factory drawings. Our products are mostly made in England and to original specification. We also offer Norton Rotary spares, factory service manuals and literature for **NORTON** and **TRIUMPH** motorcycles.

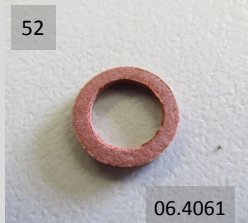
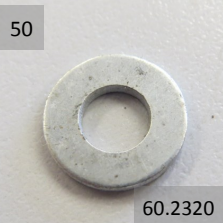
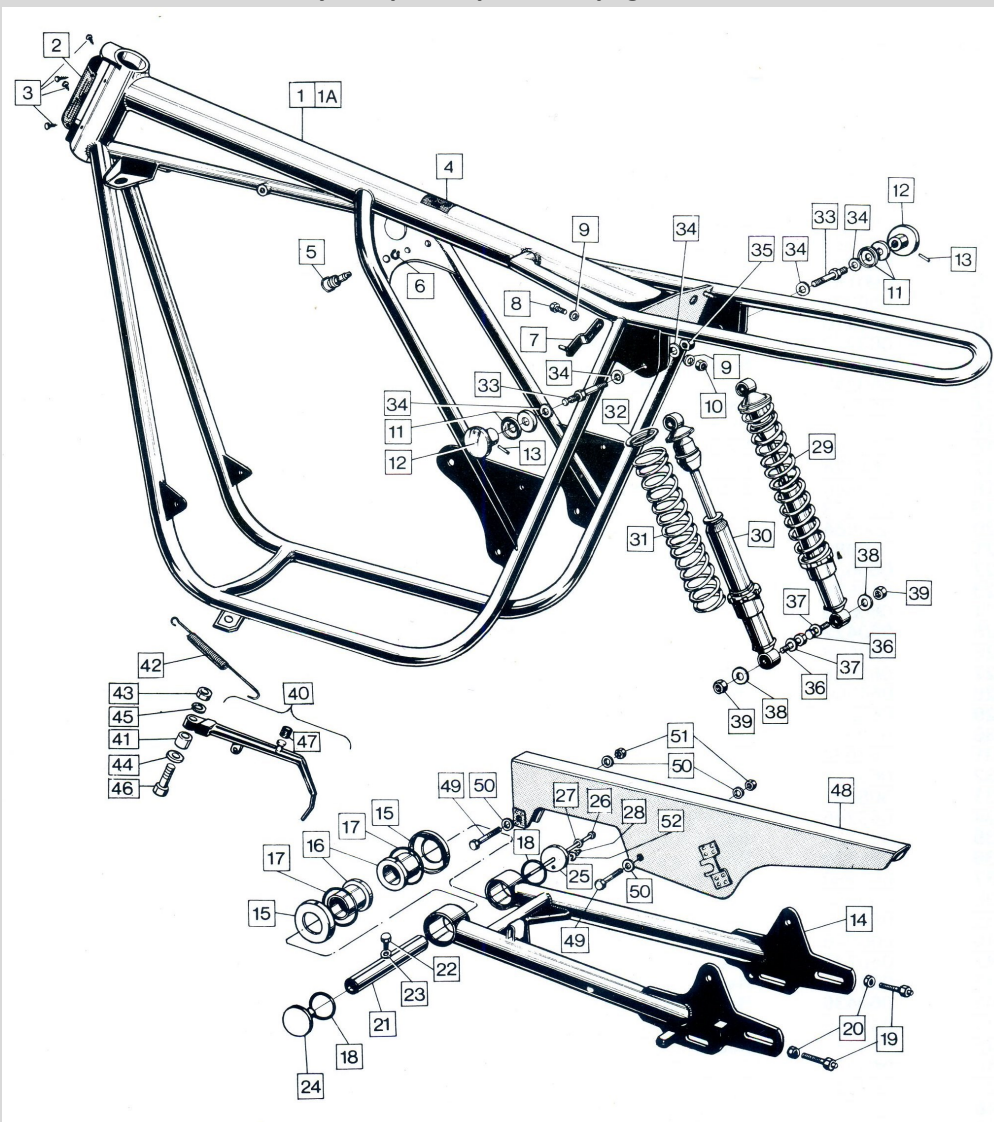
INSIST ON GENUINE FACTORY PARTS PACKAGED WITH THIS LOGO



NORTON COMMANDO FRAME, SWINGING ARM & REAR SUSPENSION (1971 to 1974)



For year specific parts see page 6



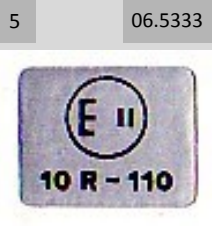
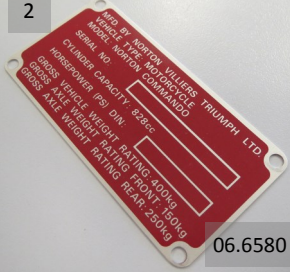
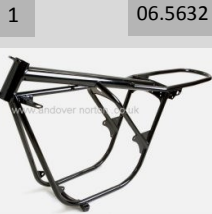


We are the only supplier of Commando & Dominator parts using the original factory drawings. Our products are mostly made in England and to original specification. We also offer Norton Rotary spares, factory service manuals and literature for **NORTON** and **TRIUMPH** motorcycles.

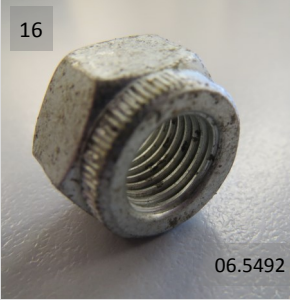
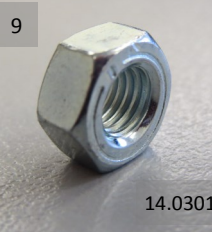
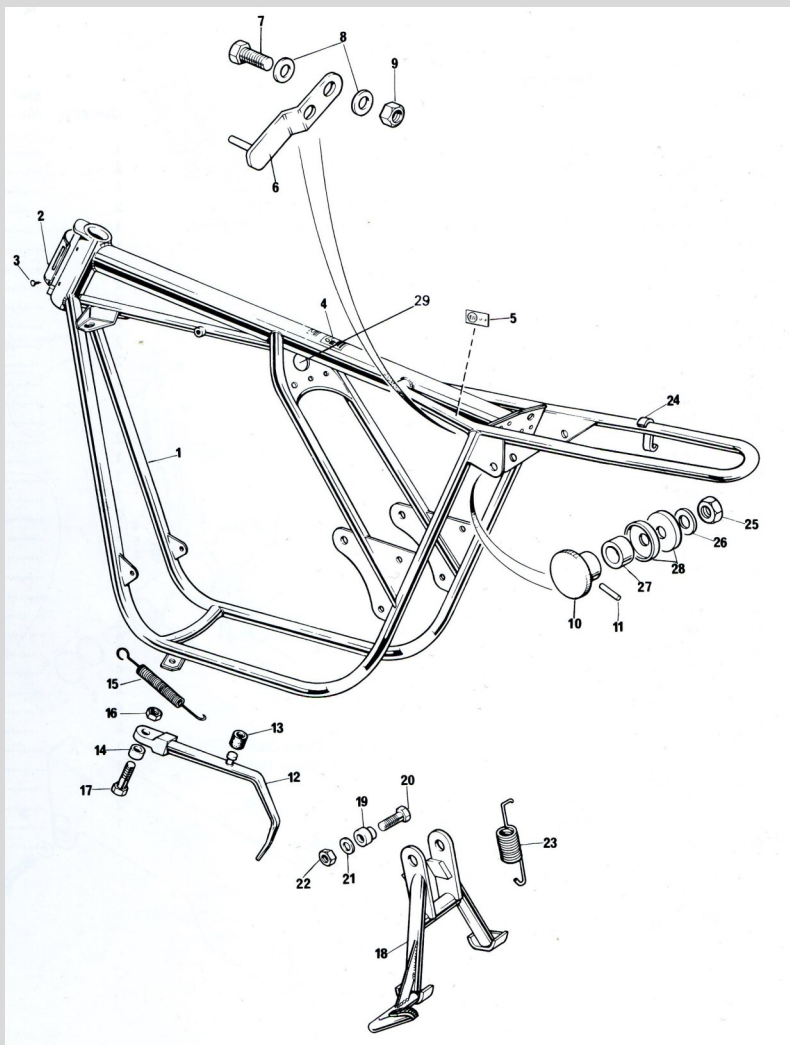
INSIST ON GENUINE FACTORY PARTS PACKAGED WITH THIS LOGO



NORTON COMMANDO FRAME, FITTINGS & STANDS (1975 to 1978)



For year specific parts see page 6



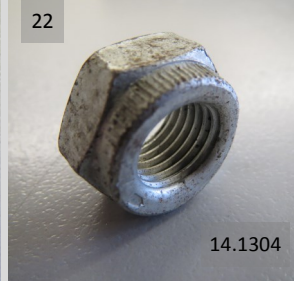


We are the only supplier of Commando & Dominator parts using the original factory drawings. Our products are mostly made in England and to original specification. We also offer Norton Rotary spares, factory service manuals and literature for **NORTON** and **TRIUMPH** motorcycles.

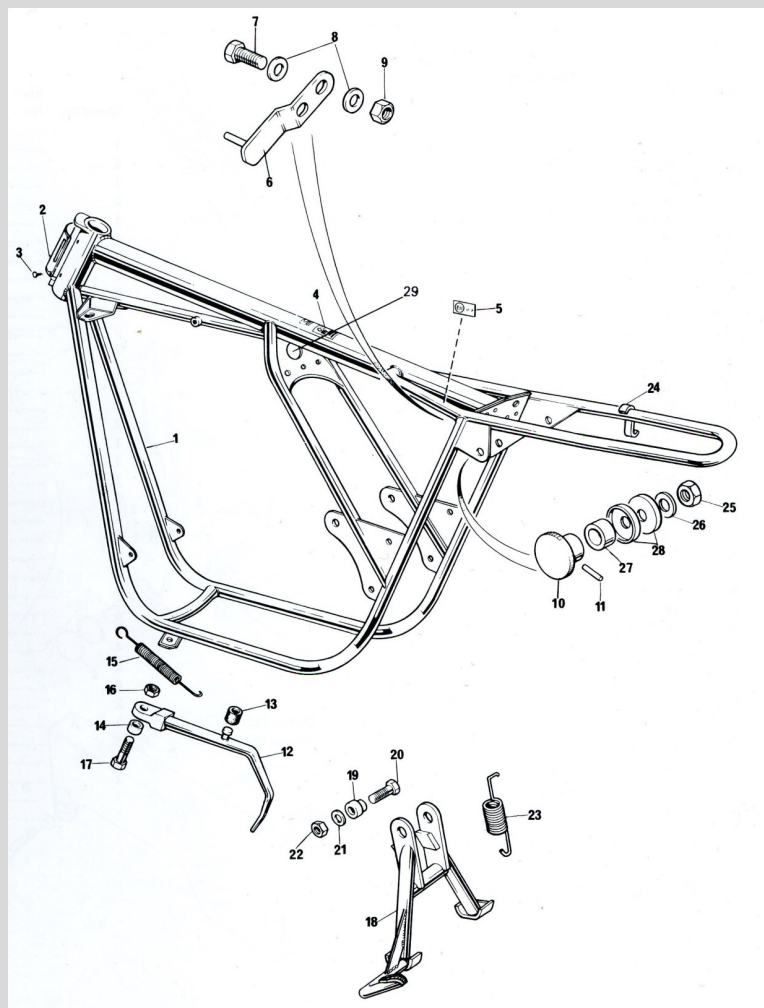
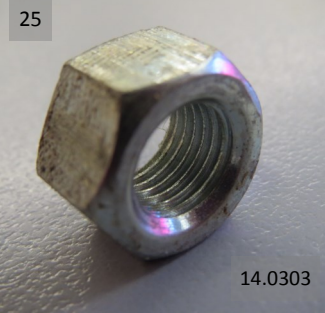
INSIST ON GENUINE FACTORY PARTS PACKAGED WITH THIS LOGO



NORTON COMMANDO FRAME, FITTINGS & STANDS (1975 to 1978)



For year specific parts see page 6





We are the only supplier of Commando & Dominator parts using the original factory drawings. Our products are mostly made in England and to original specification. We also offer Norton Rotary spares, factory service manuals and literature for **NORTON** and **TRIUMPH** motorcycles.

INSIST ON GENUINE FACTORY PARTS PACKAGED WITH THIS LOGO



NORTON COMMANDO FRAME, FITTINGS & STANDS (Year specific parts)

1970 & 1971



06.1441

1970 & 1971



Use 06.6357

06.2001

1970 & 1971



Side stand spring

06.2515

1970 & 1971



Side stand circlip

01.9512

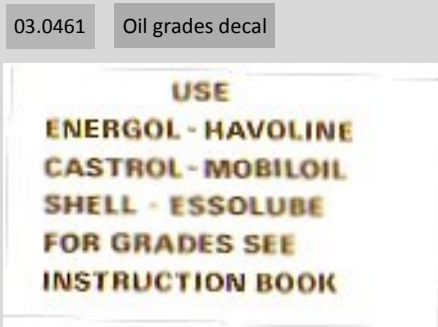
1970 & 1971



Side stand mounting.
Weld to frame

06.3049

1970 to 1972



03.0461

Oil grades decal

1970 to 1972



Use 06.4009

Seat knob

06.0647

1970 to 1972



06.0441

1974



06.4837

Jan. 1974 Mk2 & Mk2a



06.5818

1974

06.5333

E. Approval decal

